

INTERNATIONAL STANDARD

ISO
4039-1

First edition
1998-08-15

Road vehicles — Pneumatic braking systems —

Part 1:

Pipes, male fittings and tapped holes with
facial sealing surface

Véhicules routiers — Dispositifs de freinage pneumatique —

Partie 1: Tuyauteries, raccords mâles et logements à portée faciale



Reference number
ISO 4039-1:1998(E)

Foreword

ISO (the International Organization for Standardization) is a worldwide federation of national standards bodies (ISO member bodies). The work of preparing International Standards is normally carried out through ISO technical committees. Each member body interested in a subject for which a technical committee has been established has the right to be represented on that committee. International organizations, governmental and non-governmental, in liaison with ISO, also take part in the work. ISO collaborates closely with the International Electrotechnical Commission (IEC) on all matters of electrotechnical standardization.

Draft International Standards adopted by the technical committees are circulated to the member bodies for voting. Publication as an International Standard requires approval by at least 75 % of the member bodies casting a vote.

International Standard ISO 4039-1 was prepared by Technical Committee ISO/TC 22, *Road vehicles*, Subcommittee SC 2, *Braking systems and equipment*.

This first edition of ISO 4039-1 cancels and replaces ISO 4039:1977, of which it constitutes a technical revision.

ISO 4039 consists of the following parts, under the general title *Road vehicles — Pneumatic braking systems*:

— *Part 1 : Pipes, male fittings and tapped holes with facial sealing surface*

— *Part 2 : Pipes, male fittings and tapped holes with conical sealing surface*

Annex A to this part of ISO 4039 is given for information only.

© ISO 1998

All rights reserved. Unless otherwise specified, no part of this publication may be reproduced or utilized in any form or by any means, electronic or mechanical, including photocopying and microfilm, without permission in writing from the publisher.

International Organization for Standardization
Case postale 56 • CH-1211 Genève 20 • Switzerland
Internet iso@iso.ch

Printed in Switzerland

Road vehicles — Pneumatic braking systems —

Part 1:

Pipes, male fittings and tapped holes with facial sealing surface

1 Scope

This part of ISO 4039 specifies the essential dimensions and material requirements for metallic and thermoplastic pipes, male fittings and tapped holes with a facial sealing surface, of the metric series, used in pneumatic braking systems on road vehicles using compressed air at a pressure below 2 MPa (20 bar).

Annex A gives, for information, a recommendation as to how to indicate conformity with this part of ISO 4039.

2 Normative reference

The following standard contains provisions which, through reference in this text, constitute provisions of this part of ISO 4039. At the time of publication, the edition indicated was valid. All standards are subject to revision, and parties to agreements based on this part of ISO 4039 are encouraged to investigate the possibility of applying the most recent edition of the standard indicated below. Members of IEC and ISO maintain registers of currently valid International Standards.

ISO 9227:1990, *Corrosion tests in artificial atmospheres — Salt spray tests*.

3 Pipes

3.1 Dimensions

The external diameter, D_1 , shall be as specified in table 1. It may be used in any combination with the threads specified in table 2.

Table 1 — Dimensions of pipes

Dimensions in millimetres

External diameter, D_1	6	8	10	12	14	15	16	18	20
--------------------------	---	---	----	----	----	----	----	----	----

3.2 Materials

Pipes may be made of metal (examples: steel, copper, copper alloys, etc.) or thermoplastics (example: polyamide, etc.).

3.3 Surface condition

The inner and outer surfaces of the pipes shall be free from oxidation, and shall be smooth and clean.

The outer surface shall be protected against corrosion. Sensitivity to corrosion shall be evaluated in accordance with one of the methods specified in ISO 9227, to be agreed between the interested parties, but with a minimum exposure to salt spray of 200 h.

4 Tapped holes and male fittings

4.1 Dimensions of tapped holes with facial sealing surface

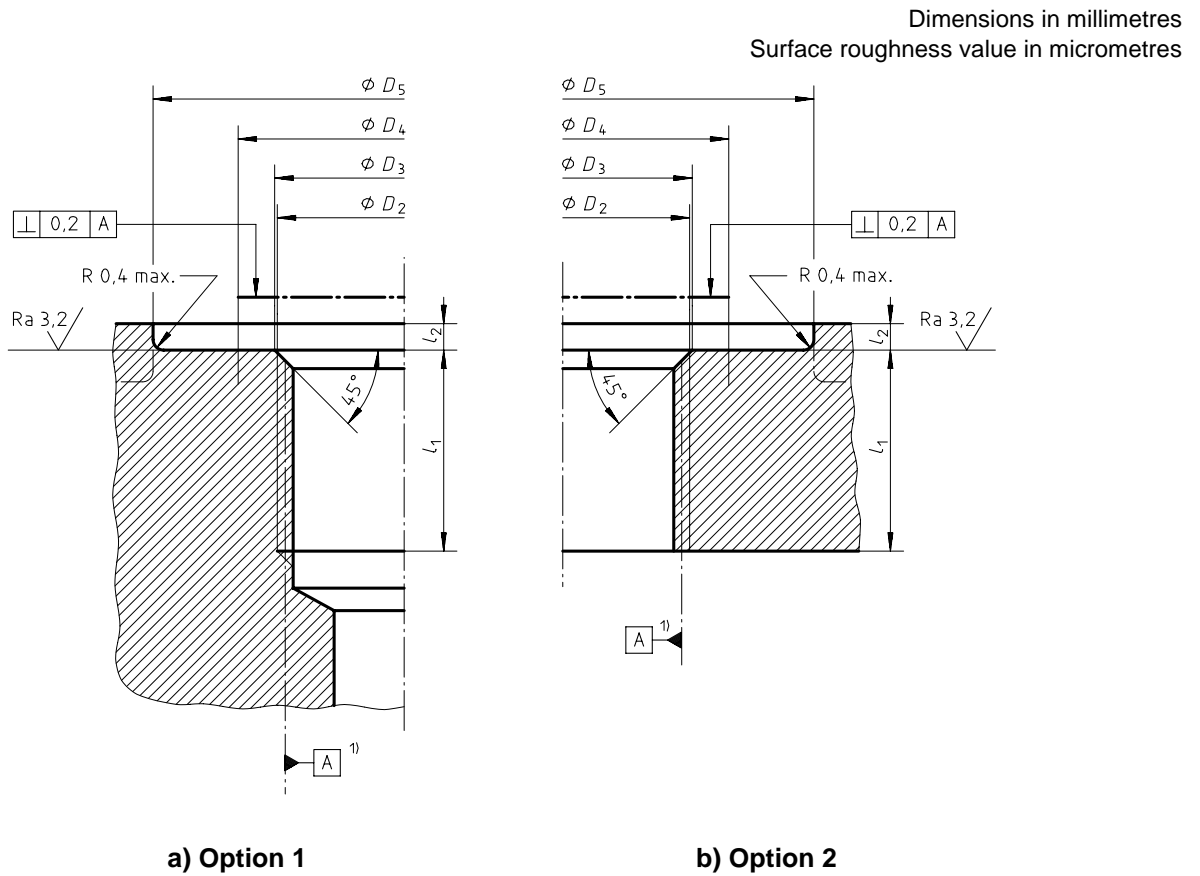
Tapped holes with a facial sealing surface shall conform to figure 1 and to the dimensions given in table 2.

4.2 Dimensions of male fittings

Male fittings shall conform to figure 2 and to the dimensions given in table 3.

4.3 Surface condition

The requirements of 3.3 apply.



1) Pitch diameter.

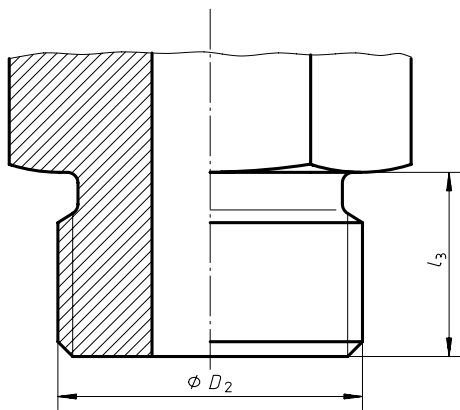
Figure 1 — Connection port

Table 2 — Connection port dimensions

Dimensions in millimetres

D_2 6H	D_3 $+0,2$ 0	D_4	D_5 1) 2) min.	l_1 3) min.	l_2 1) 4) max.
M 10 x 1	10	13	20	8	1
M 12 x 1,5	12	16	22	12	1,5
M 14 x 1,5	14	18	24		
M 16 x 1,5	16	20	26		
M 22 x 1,5	22	26	33	13	2
M 26 x 1,5	26	32	38	15	
M 27 x 2	27				

1) If the face of the boss is on a machined surface, dimensions D_5 and l_2 do not apply.
 2) Recommended diameter of the seating face or equivalent flat surface.
 3) Minimum full thread length.
 4) Maximum recommended depth of the centring face to allow sufficient engagement of the wrench to ensure appropriate tightness of fittings and lock-nuts.

**Figure 2 — Male fitting****Table 3 — Male fitting dimensions**

Dimensions in millimetres

D_2 6g	l_3 max.
M 10 x 1	8
M 12 x 1,5	12
M 14 x 1,5	
M 16 x 1,5	
M 22 x 1,5	13
M 26 x 1,5	15
M 27 x 2	

Annex A (informative)

Identification statement (reference to this part of ISO 4039)

It is recommended that manufacturers who elect to conform to this part of ISO 4039 should use the following identification statement in their test reports, catalogues and sales literature:

"Tapped holes with a facial sealing surface conforming to ISO 4039-1:1998, *Road vehicles — Pneumatic braking systems — Part 1: Pipes, male fittings and tapped holes with facial sealing surface.*"

www.TeraStandard.com

ICS 43.040.40

Descriptors: road vehicles, braking systems, pneumatic brakes, fluid circuits, pipes (tubes), pipe fittings, threaded fittings, specifications, dimensions.

Price based on 4 pages
